

Technical specifications.

BMW X6 M.

X6 M Competition.



BMW X6 M Competition		
Body		
No. of doors / seats		5 / 5
Length/width/height (unladen)	mm	4948 / 2019 / 1695
Wheelbase	mm	2972
Track, front/rear	mm	1699 / 1688
Turning circle	m	12.8
Fuel tank capacity	approx. l	83
Engine oil ¹⁾	l	⁴⁾
Weight, unladen, to DIN/EU	kg	2370 / 2445
Max. load to DIN	kg	670
Max. permissible weight	kg	3040
Max. axle load, front/rear	kg	1440 / 1670
Max. trailer load		
braked (12%/unbraked)	kg	3000 / 750
Max. roofload/towbar download	kg	100 / 140
Luggage comp. capacity	l	580 – 1530
Air resistance	cx x A	0.38 x 2.89
Power Unit		
Engine technology		M TwinPower Turbo technology with cross-bank exhaust manifold: M TwinScroll twin turbocharger, indirect charge air cooling, High Precision Injection, VALVETRONIC fully variable valve timing, Double-VANOS variable camshaft timing, 48V mild hybrid technology using an electric motor integrated into the transmission
Max. output, overall ²⁾	kW/hp	460 / 625
Max. torque, overall ²⁾	Nm	750
Petrol Engine		
Config./No. of cyls./valves		V / 8 / 4
Effective capacity	cc	4395
Stroke/bore	mm	88.3 / 89.0
Compression ratio	:1	10.5
Fuel		Min. RON 95
Nominal power	kW/hp	460 / 625
at	rpm	6000
Nominal torque	Nm	750
at	rpm	1800 – 5800
Output per litre	kW/l	104.7
Electric Motor		
Nominal power	kW/hp	9 / 12
Nominal torque	Nm	200
Electrical System		
12V battery/installation	Ah/-	90 / luggage compartment
48V battery/installation	Ah/-	10 / engine compartment
Driving Dynamics and Safety		
Suspension, front		Adaptive M suspension with double-wishbone axle in lightweight aluminium construction, M-specific kinematics and elastokinematics
Suspension, rear		Adaptive M suspension with five-link axle in lightweight aluminium construction, M-specific elastokinematics
Brakes, front		M Compound brakes, vented, with six-piston fixed callipers
Brakes, rear		M Compound brakes, vented, with single-piston floating callipers
Driving stability systems		Standard: DSC incl. ABS, ASC and M Dynamic Mode (MDM), can be switched off, CBC (Cornering Brake Control), DBC (Dynamic Brake Control), Dry Braking function, drive-off assistant, Active M Differential, active roll stabilisation, DSC and Active M Differential networked with M xDrive all-wheel-drive system
Safety equipment		Standard: airbags for driver and front passenger, side airbags for driver and front passenger, head airbags for front and rear seats, three-point inertia-reel seatbelts on all seats with belt tensioner and belt force limiter in the front, crash sensors, tyre pressure indicator
Steering		Electric Power Steering (EPS) with M-specific Servotronic function and variable sport ratio
Steering ratio, overall	:1	16.2
Tyres, front/rear		295/35 ZR21 107Y XL / 315/30 ZR22 107Y XL
Rims, front/rear		10.5J x 21 light-alloy / 11.5J x 22 light-alloy

BMW X6 M Competition

Power Transfer

M xDrive intelligent all-wheel drive, central transfer case with fully variable multi-plate clutch, fully variable torque distribution between front and rear axle, rear differential with fully variable Active M Differential, locking effect 0 – 100 per cent

Transmission

Type of transmission Eight-speed M Steptronic transmission with Drivelogic, transmission oil cooling

Gear ratios	I	:1	5.501
	II	:1	3.520
	III	:1	2.200
	IV	:1	1.720
	V	:1	1.301
	VI	:1	1.000
	VII	:1	0.833
	VIII	:1	0.640
	R	:1	4.543
Final drive		:1	3.154

Performance

Power-to-weight ratio (DIN)	kg/kW	5.2
Acceleration 0–100 km/h	s	3.9
Acceleration 0–200 km/h	s	13.6
Top speed	km/h	250 / 290 ³⁾

Off-road Characteristics

Angle of approach/departure	°	19.3 / 22.1
Breakover angle	°	18.2
Ground clearance (unladen)	mm	212
Fording depth (at 7 km/h)	mm	450

BMW EfficientDynamics

BMW EfficientDynamics standard features 48V mild hybrid technology, Brake Energy Regeneration with recuperation display, Automatic Start/Stop function, Optimum Shift Indicator, Electric Power Steering, BMW EfficientLightweight, optimised aerodynamic attributes, active air flap control, on-demand operation of ancillary units, map-regulated oil pump, efficiency-optimised all-wheel drive, differential with optimised warm-up behaviour

Fuel Consumption ECE

Combined (WLTP)	l/100	12.9 – 12.7
Combined (NEDC)	l/100	–
CO ₂ (WLTP)	g/km	292 – 287
CO ₂ (NEDC)	g/km	–
Emission rating		Euro 6d

Specifications apply to ACEA markets/data relevant to homologation applies in part only to Germany (weight)

¹⁾ Oil change

²⁾ Developed by the combination of the combustion engine (stated nominal figure) and the electric motor (up to stated nominal figure)

³⁾ Limited / with optional M Driver's Package

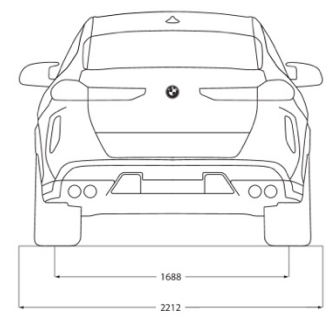
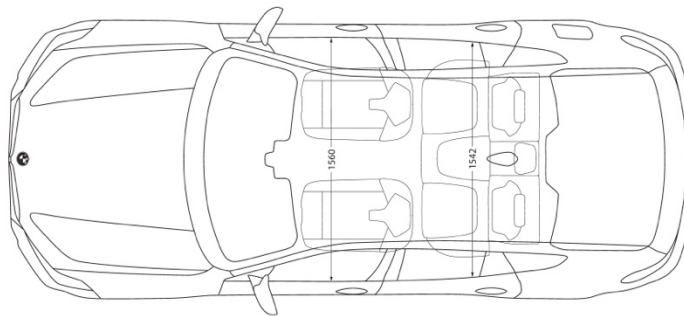
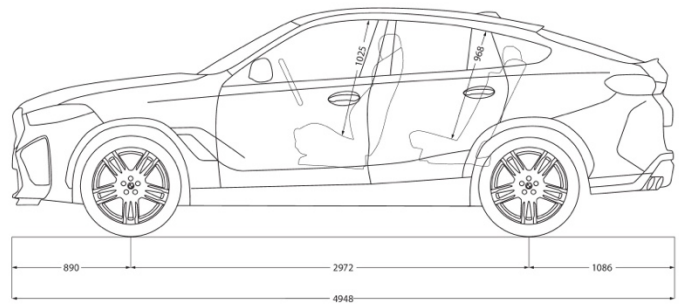
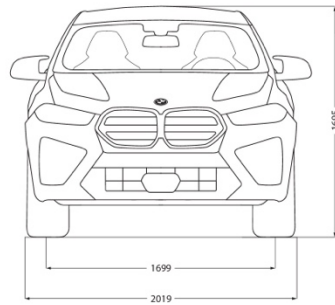
⁴⁾ Data not yet available

The fuel consumption, CO₂ emissions, electric power consumption and electric range figures are determined according to the European Regulation (EC) 715/2007 in the version applicable. The figures refer to a vehicle with basic configuration in Germany and the range shown considers the different sizes of the selected wheels/tyres and the selected items of optional equipment.

All values were calculated based on the new WLTP test cycle. WLTP values are taken as the basis for determining vehicle-related taxes or other duties based (at least inter alia) on CO₂ emissions as well as eligibility for any applicable vehicle-specific subsidies. Further information on the WLTP and NEDC measurement procedures can also be found at www.bmw.de/wltp.

Further information on official fuel consumption figures and specific CO₂ emission values of new passenger cars is included in the following guideline: 'Leitfaden über den Kraftstoffverbrauch, die CO₂-Emissionen und den Stromverbrauch neuer Personenkraftwagen' (Guide to the fuel economy, CO₂ emissions and electric power consumption of new passenger cars), which can be obtained free of charge from all dealerships, from Deutsche Automobil Treuhand GmbH (DAT), Hellmuth-Hirth-Str. 1, 73760 Ostfildern-Scharnhausen and at <https://www.dat.de/co2>.

Exterior and interior dimensions. BMW X6 M Competition.



The dimensions indicated in the technical drawing are in millimetres and may vary depending on the model and the items of optional equipment fitted.