

Technical specifications.

BMW XM Label Red.



BMW
Media
information

05/2023
Page 1

BMW XM Label Red		
Body		
No of doors/seats		5 / 5
Length/width/height (unladen)	mm	5110 / 2005 / 1755
Wheelbase	mm	3105
Track, front/rear	mm	1726 / 1690
Ground clearance	mm	220
Turning circle	m	12.5
Fuel tank capacity	approx. l	69
Engine oil ¹⁾	l	³⁾
Weight, unladen, to DIN/EU	kg	2720 / 2795
Max. load to DIN	kg	580
Max. permissible weight	kg	3300
Max. axle load, front/rear	kg	1500 / 1825
Max. trailer load, braked (12%/unbraked)	kg	2700 / 750
Max. roofload/towbar download	kg	- / 140
Luggage comp. capacity	l	527 – 1820
Air resistance	$c_d \times A$	³⁾
Power Unit		
Drive concept		Full-hybrid drive system, drive torque sent by one or both motors to all four wheels via M xDrive
System output	kW/hp	550 / 748
System torque	Nm	1000
System power-to-weight ratio	kg/kW	4.9
Petrol Engine		
Config./No. of cyls./valves		V / 8 / 4
Engine technology		M TwinPower Turbo technology with cross-bank exhaust manifold: two M TwinScroll turbochargers, indirect charge air cooling, High Precision Injection (maximum injection pressure: 350 bar), VALVETRONIC fully variable valve timing, Double-VANOS variable camshaft timing
Effective capacity	cc	4395
Stroke/bore	mm	88.3 / 89.0
Compression ratio	:1	10.5
Fuel		min RON 91
Max. output	kW/hp	430 / 585
at	rpm	5600 – 6500
Max. torque	Nm	750
at	rpm	1800 – 5400
Output per litre	kW/l	97.8
Electric Motor		
Motor technology		BMW eDrive technology: synchronous electric motor with pre-gearing stage integrated into eight-speed M Steptronic transmission, generator function for recuperating energy for the high-voltage battery
Peak output	kW/hp	145 / 197
at	rpm	7000
Torque	Nm	280
at	rpm	100 – 5500
Effective torque through pre-gearing stage	Nm	450
Recuperation power	kW	³⁾
High-voltage Battery		
Storage technology / Installation		Lithium-ion / Underfloor
Voltage	V	317
Energy capacity (gross / net)	kWh	29.5 / 25.7
Max. charging rate	kW	7.4
Charging time, 0–100% charge		4.25 h at 7.4 kW (32 A / 230 V, 1ph.)

BMW XM Label Red	
Driving Dynamics and Safety	
Suspension, front	Adaptive M suspension with double-wishbone front axle in lightweight aluminium construction, M-specific kinematics and elastokinematics
Suspension, rear	Adaptive M suspension with five-link axle in lightweight aluminium/ steel construction, M-specific kinematics and elastokinematics
Brakes, front	Six-piston fixed-calliper disc brakes, vented
Brakes, rear	Single-piston floating-calliper disc brakes, vented
Driving stability systems	Standard: DSC incl. ABS and M Dynamic Mode (MDM), can be switched off, near-actuator wheel slip limitation,, CBC (Cornering Brake Control), DBC (Dynamic Brake Control), Performance Control, Dry Braking function, drive-off assistant, M xDrive all-wheel-drive system and M Sport differential networked with DSC, active roll stabilisation with Active Roll Comfort
Safety equipment	Standard: airbags for driver and front passenger, side airbags for driver and front passenger, head airbags for front and rear seats, three-point inertia-reel seatbelts on all seats with belt stopper, belt tensioner and belt force limiter in the front, crash sensors, tyre pressure indicator
Steering	Electric Power Steering (EPS) with M-specific Servotronic function, Integral Active Steering
Steering ratio, overall	:1 16.2
Tyres, front/rear	275/45 R21 110Y XL / 315/40 R21 115Y XL
Rims, front/rear	9.5J x 21 light-alloy / 10.5J x 21 light-alloy

Transmission			
Type of transmission		Eight-speed M Steptronic transmission	
Gear ratios	I	:1	5.000
	II	:1	3.200
	III	:1	2.143
	IV	:1	1.720
	V	:1	1.297
	VI	:1	1.000
	VII	:1	0.833
	VIII	:1	0.640
	R	:1	3.968
Final drive		:1	3.636

Performance			
Acceleration	0–100 km/h	s	3.8
Top speed		km/h	250 / 290 ²⁾
Top speed on electric power		km/h	140
Electric range (WLTP)		km	76 – 82

BMW EfficientDynamics	
BMW EfficientDynamics standard features	BMW eDrive technology, Electric Power Steering, hybrid-specific Automatic Start/Stop function, Proactive Driving Assistant, BMW EfficientLightweight, optimised aerodynamic attributes, active air flap control, on-demand operation of ancillary units, map-regulated oil pump, efficiency-optimised all-wheel drive

Fuel Consumption ECE		
Petrol cons., weighted combined (WLTP)	l/100 km	2.0 – 1.5
Petrol cons., weighted combined (NEDC)	l/100 km	–
CO ₂ emissions from petrol (WLTP)	g/km	45 – 35
CO ₂ emissions from petrol (NEDC)	g/km	–
Electric power consumption, weighted combined (WLTP)	kWh/100 km	33.5 – 32.5
Electric power consumption, weighted combined (NEDC)	kWh/100 km	–
Emission rating		Euro 6e

Specifications apply to ACEA markets/data relevant to homologation applies in part only to Germany

All figures are provisional

¹⁾ Oil change with filter

²⁾ Limited / with optional M Driver's Package

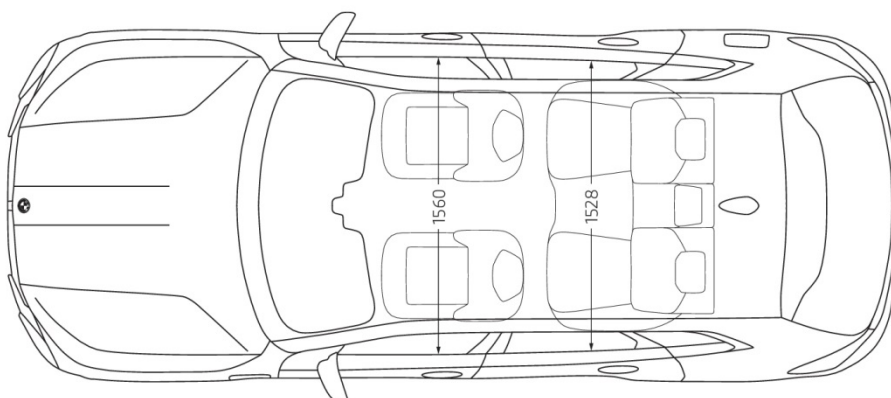
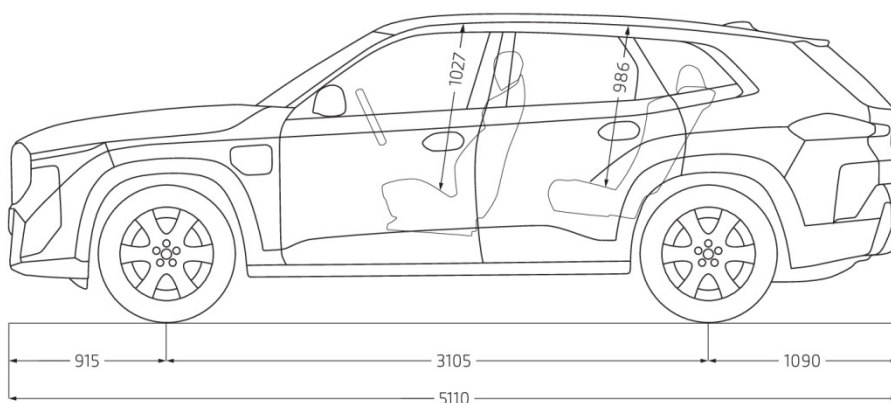
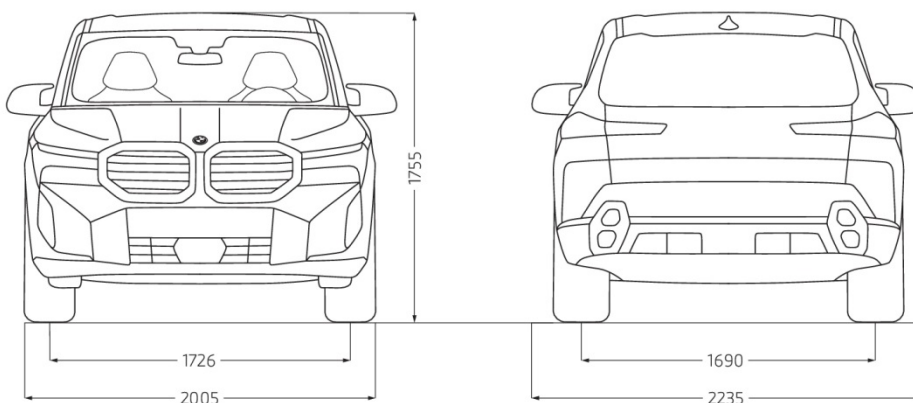
³⁾ Figures not yet available

Official fuel consumption, CO₂ emissions, electric power consumption and electric range figures were determined based on the prescribed measurement procedure in accordance with European Regulation (EC) 2007/715 in the version applicable. They refer to vehicles in the German market. Where a range is shown, NEDC figures consider the different sizes of the selected wheels/tyres, while WLTP figures take into account the impact of any optional extras.

WLTP values are used for determining vehicle-related taxes or other duties based (at least inter alia) on CO₂ emissions as well as eligibility for any applicable vehicle-specific subsidies. Any NEDC values that are shown were calculated based on the new WLTP measurement procedure where appropriate and translated back into equivalent NEDC measurements in order to ensure comparability between the vehicles. Only official figures based on the WLTP procedure are available for new models that have been type tested since 01.01.2021. Further information on the WLTP and NEDC measurement procedures can also be found at www.bmw.de/wltp.

Further information on official fuel consumption figures and specific CO₂ emission values of new passenger cars is included in the following guideline: 'Leitfaden über den Kraftstoffverbrauch, die CO₂-Emissionen und den Stromverbrauch neuer Personenkraftwagen' (Guide to the fuel economy, CO₂ emissions and electric power consumption of new passenger cars), which can be obtained free of charge from all dealerships, from Deutsche Automobil Treuhand GmbH (DAT), Hellmuth-Hirth-Str. 1, 73760 Ostfildern-Scharnhausen and at <https://www.dat.de/co2/>.

Exterior and interior dimensions. BMW XM Label Red.



The dimensions of the technical drawing are in millimetres and may vary depending on the model and optional equipment specified.